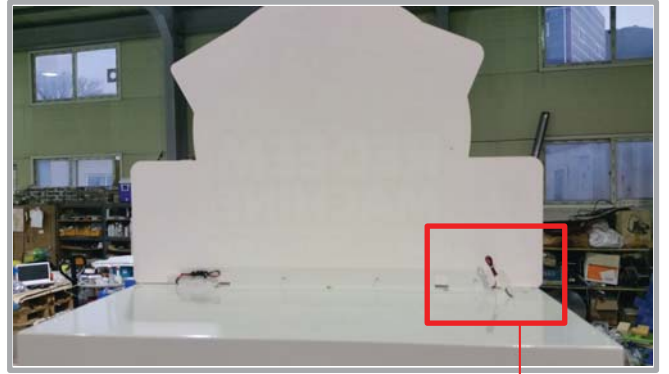
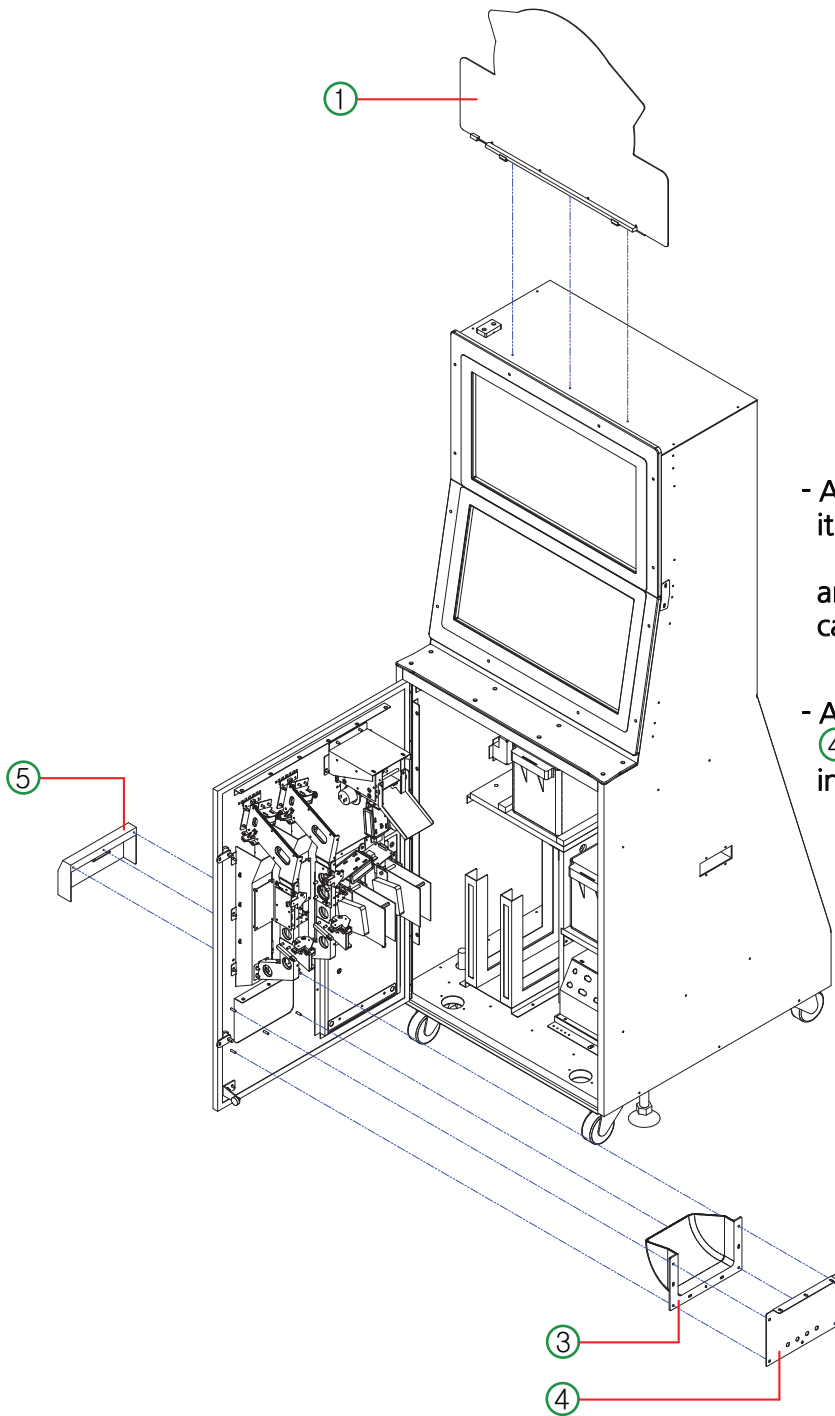


HOW TO INSTALL BILLBOARD

1 * BILLBOARD

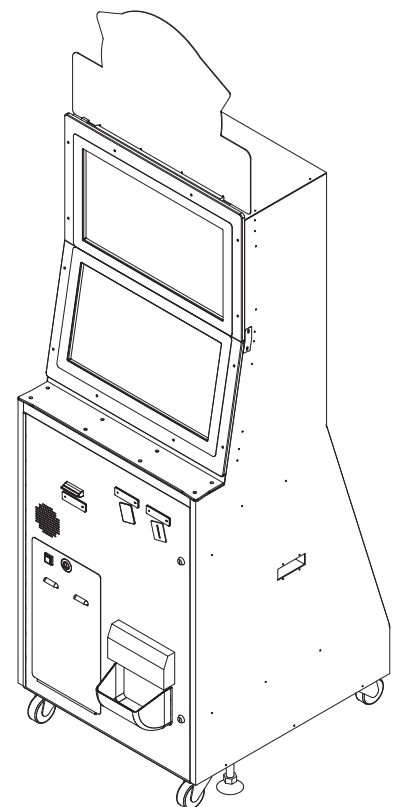


- Assemble the BILLBOARD ASS'Y after moving it to the top of cabinet like ①. (M4 bolts, 3pcs)
and then CONNECT it to CONNECTOR ② at top of cabinet.

- Assemble ③ PRIZE OUTLET COVER MOLD and ④ PRIZE OUTLET COVER BKT to the cabinet as shown in the drawing. (M4 bolts, 5pcs)

- Assemble ⑤ PRIZE OUTLET GUIDE BKT ASS'Y using (M4 bolts, 3pcs) and then CONNECT the CONNECTOR, which completes the assembly.

2



*** YOU SHOULD SET THE BAR CODE FIRST USING MANUAL PAGE 13 BEFORE SETUP SETTING.**