

INSTALL INFORMATION

*** PLEASE DO NOT INSTALL PRODUCT IN A PLACE WITH A LOT OF SUNLIGHT. IT CAN BE A PROBLEM FOR THE OPERATION OF THE PRODUCT.**

1. INSTALLATION SPACE

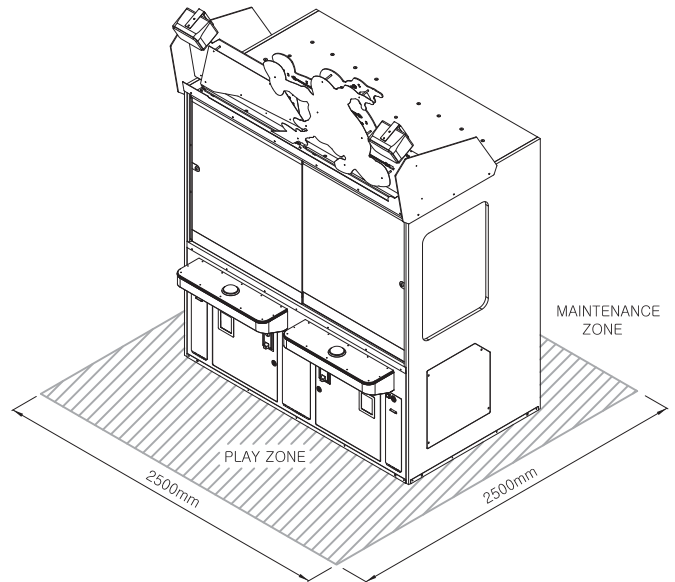
- ※ Maintenance zone & Play zone should have at least 2500mm(99 inch) * 2500mm(99inch) each

2. MAINTAIN PRODUCT FLATNESS

- ※ After installation is complete
- ※ 2-1 After securing space, adjust the 4 adjuster so that the product is stably leveled

3. IMPORTANCE

- ※ This product should be indoor use and out of direct sunlight



UNPACKING

1. PACKING LOCATION

	▼ 1	▼ 2
		BILLBOARD BOX + BALL + SPEAKER + BKT
	▼ 3	▼ 4
	MEDAL [Inside the coin box]	ACCESSORY ENVELOPE