

**\* ANDAMIRO WARRANTIES the parts from date of shipment as follows.**

**- One Year Limited Warranty : Electronic Boards & Monitor**

**- 6 Month Limited Warranty : Moving Parts**

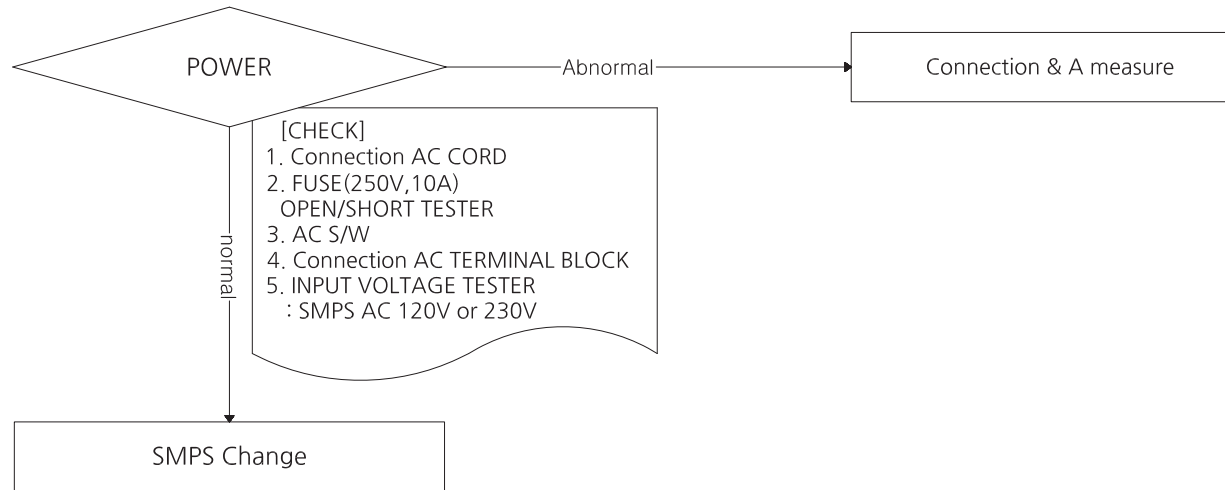
## [ ERROR CODE ]

<b>CODES</b>	<b>CONTENTS</b>	<b>DESCRIPTION</b>
ERROR 01	TICKET ERROR	NO TICKET OR TICKET DISPENSER JAM PROBLEM. (AFTER TAKING ACTION, PRESS RESET BUTTON)
ERROR 03	WHEEL ERROR	WHEEL MOTOR PROBLEM WHEEL ENCODER PROBLEM. (AFTER TAKING ACTION, PRESS RESET BUTTON)
ERROR 04	PUSHER ERROR	PUSHER MOTOR PROBLEM OR, PUSHER ENCODER PROBLEM. (AFTER TAKING ACTION, PRESS RESET BUTTON)
ERROR 05	COUNT HOPPER ERROR	COUNT HOPPER PROBLEM OR COIN JAM PROBLEM. (AFTER TAKING ACTION, PRESS RESET BUTTON)
ERROR 06	FRONT ELEVATOR HOPPER ERROR	ELEVATOR HOPPER PROBLEM OR ELEVATOR COIN JAM PROBLEM. (AFTER TAKING ACTION, PRESS RESET BUTTON)
ERROR 07	REAR ELEVATOR HOPPER ERROR	ELEVATOR HOPPER PROBLEM OR ELEVATOR COIN JAM PROBLEM. (AFTER TAKING ACTION, PRESS RESET BUTTON)
ERROR 08	CONVEYER ERROR	CONVEYER MOTOR PROBLEM OR ENCODER SENSOR PROBLEM. (ATER TAKING ACTION, PRESS RESET BUTTON)
ERROR 09	MEDAL OUT BRIDGE FRONT MICRO SW ERROR	THE PROBLEM WITH MOTOR WHITCH TANSFERS THE PATH FROM COUNT HOPPER TO FRONT HOPPER OR MICRO SW PROBLEM. (ATER TAKING ACTION, PRESS RESET BUTTON)
ERROR 10	MEDAL OUT BRIDGE REAR MICRO SW ERROR	THE PROBLEM WITH MOTOR WHITCH TANSFERS THE PATH FROM COUNT HOPPER TO REAR HOPPER OR MICRO SW PROBLEM. (ATER TAKING ACTION, PRESS RESET BUTTON)
ERROR 11	CARD DISPENSER ERROR	CARD EMPTY IN THE DISPENSER or CARD JAM or DISPENSING SENSOR PROBLEM. (AFTER TAKING ACTION, PRESS RESET BUTTON)
TILT	TITL ERROR	OCCURS WHEN THE MACHINE IS BEING SHAKED. IN 15 SECONDS, UNLOCK AUTOMATICALLY. (RELEASE THE OFFENDER AFTER WARNING)

# [ TROUBLESHOOTING ]

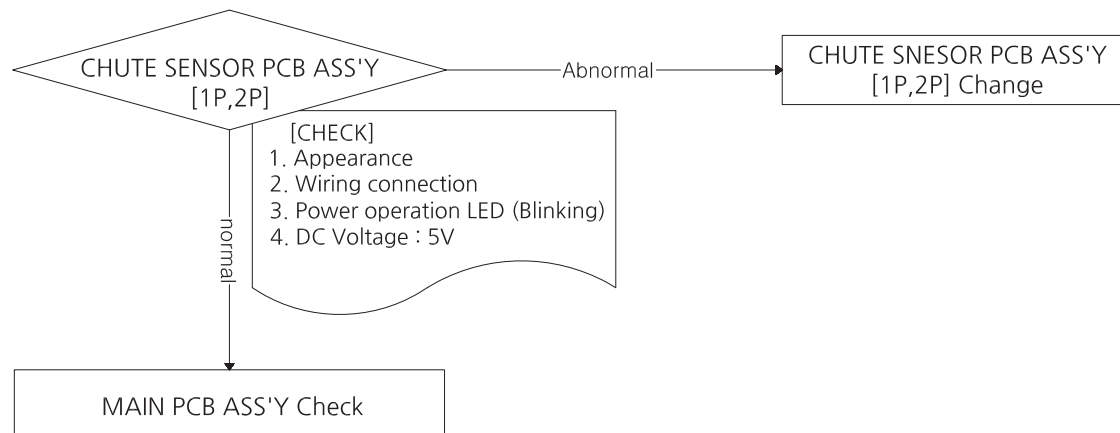
## - IN CASE OF POWER FAILURE

\*Common: Check the input voltage, check wiring



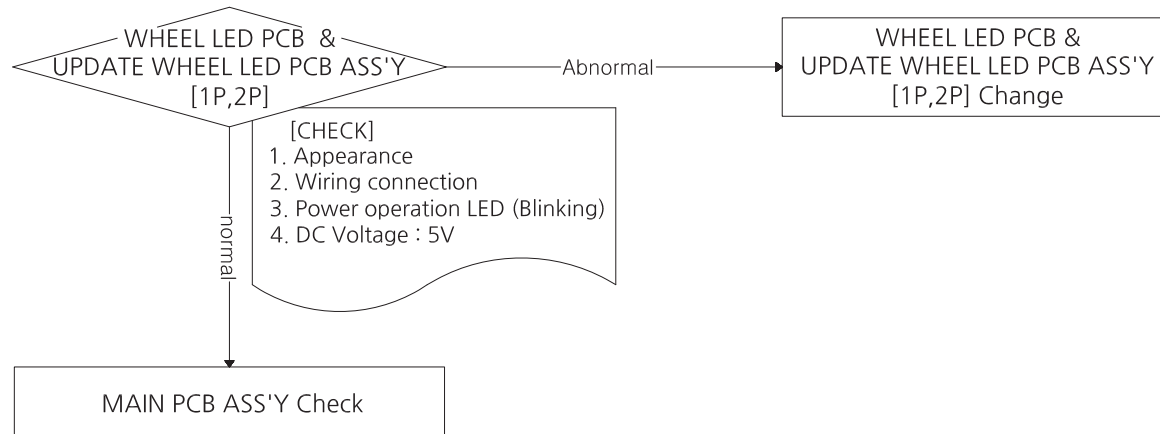
## - CHUTE SENSOR PCB ASS'Y [1P,2P] ERROR

\*Common: Check the input voltage, check wiring



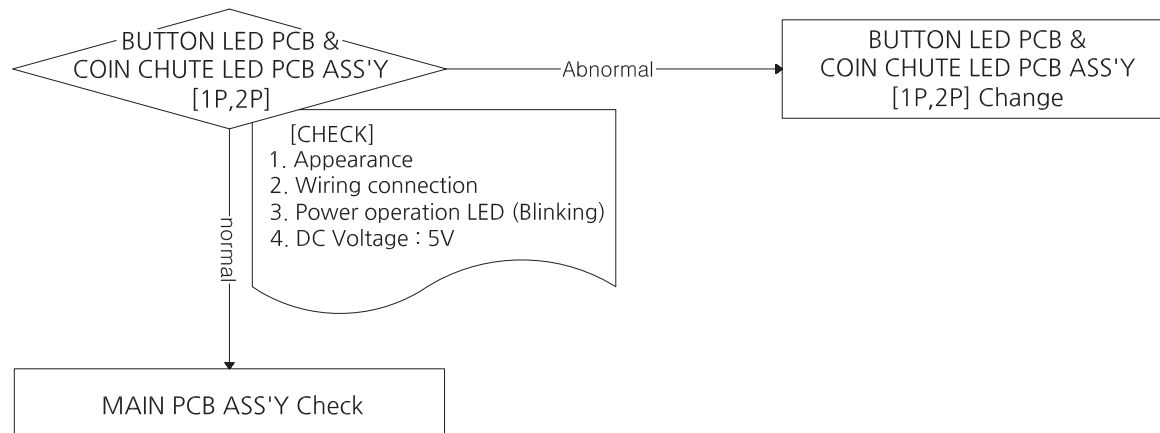
## - WHEEL LED PCB ASS'Y & UPDATE WHEEL LED PCB ASS'Y [1P,2P] ERROR

\*Common: Check the input voltage, check wiring



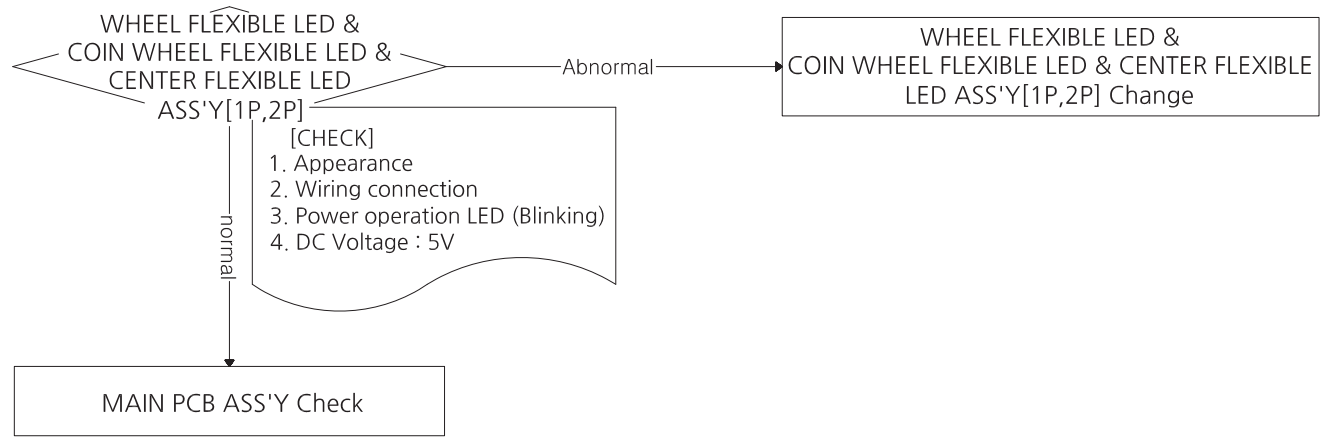
## - BUTTON LED PCB ASS'Y & COIN CHUTE LED PCB ASS'Y [1P,2P] ERROR

\*Common: Check the input voltage, check wiring



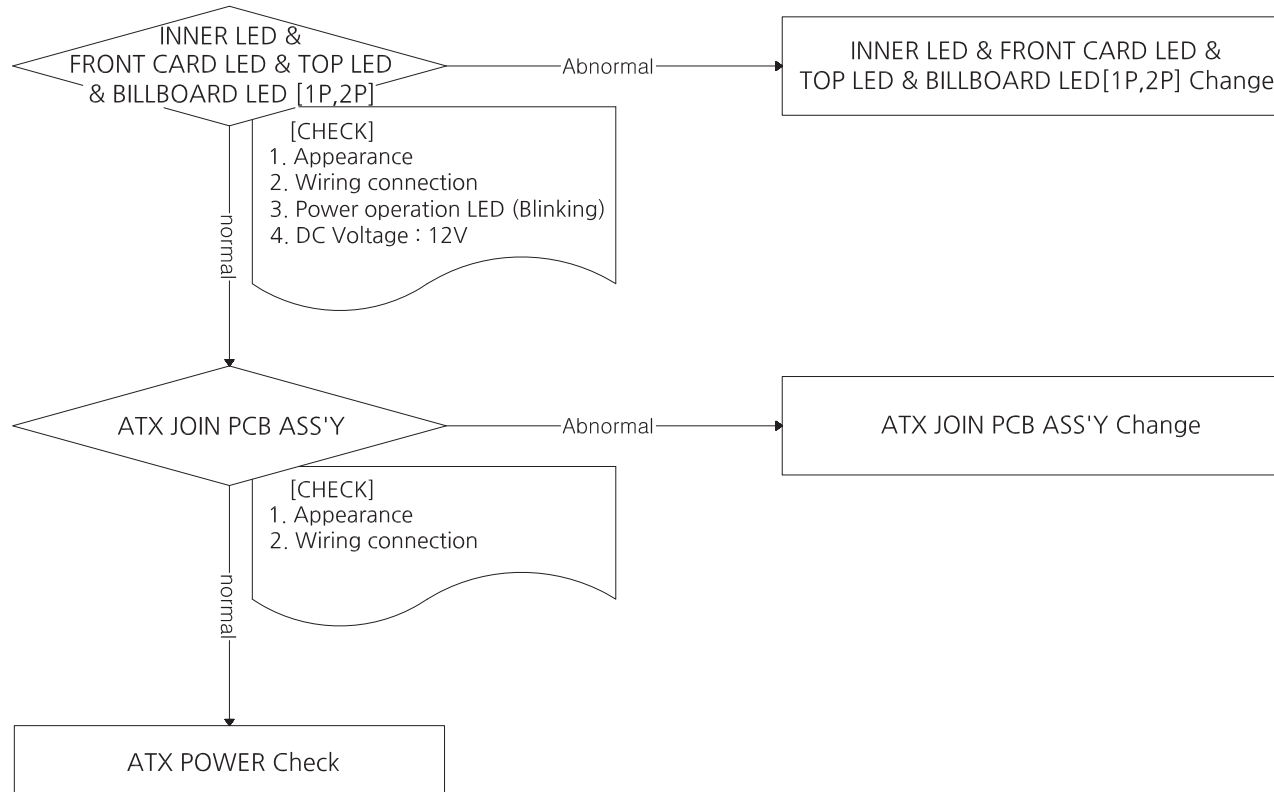
# - WHEEL FLEXIBLE LED ASS'Y & COIN WHEEL FLEXIBLE LED & CENTER FLEXIBLE LED ASS'Y [1P,2P] ERROR

\*Common: Check the input voltage, check wiring



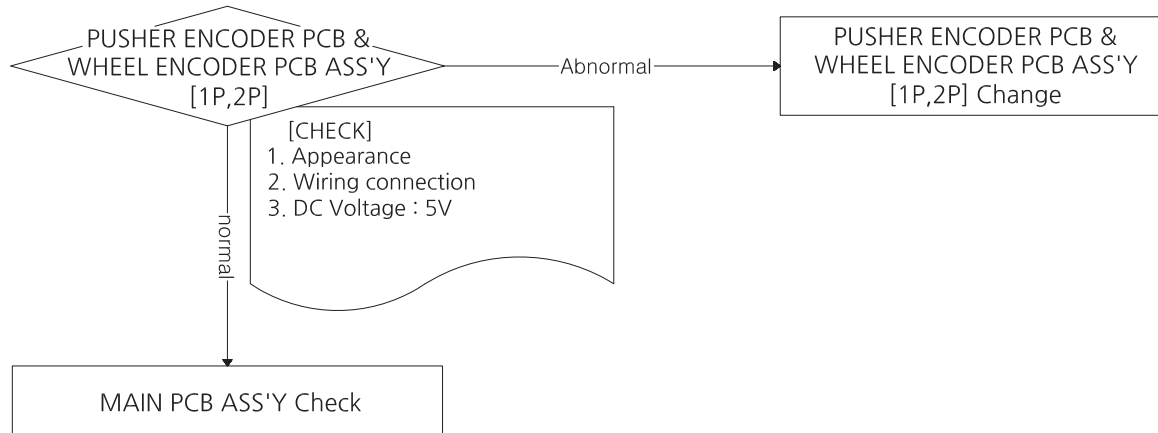
## - INNER LED, FRONT CARD LED, TOP LED, BILLBOARD LED ASS'Y [1P,2P] ERROR

\*Common: Check the input voltage, check wiring



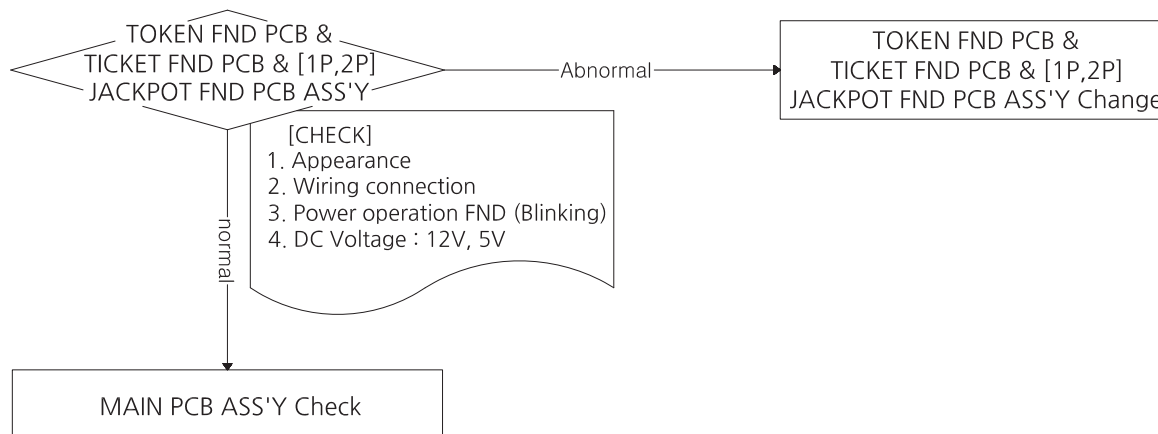
## - PUSHER ENCODER PCB ASS'Y & WHEEL ENCODER PCB ASS'Y [1P,2P] ERROR

\*Common: Check the input voltage, check wiring



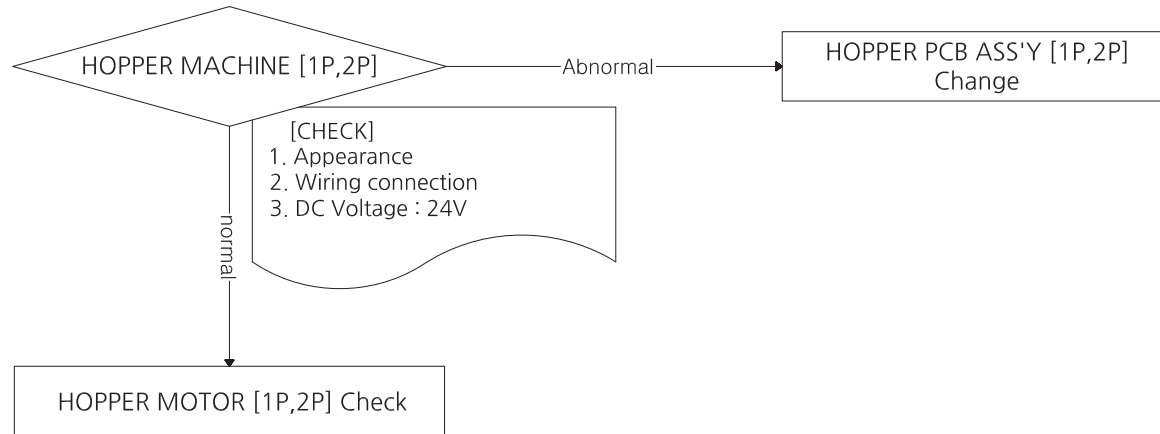
## - TOKEN FND PCB, TICKET FND PCB ASS'Y [1P,2P] JACKPOT FND ASS'Y ERROR

\*Common: Check the input voltage, check wiring



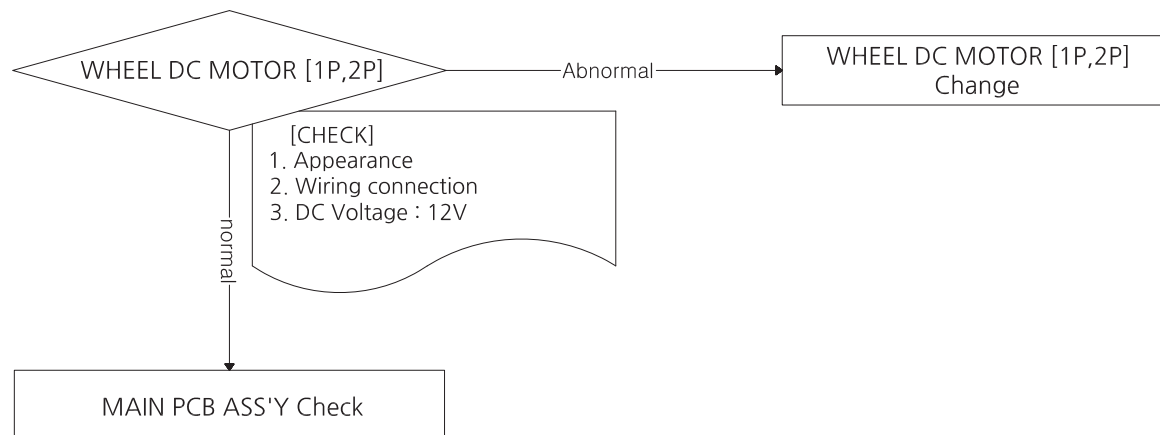
## - IN CASE OF MALFUNCTION OF HOPPER

\*Common: Check the input voltage, check wiring



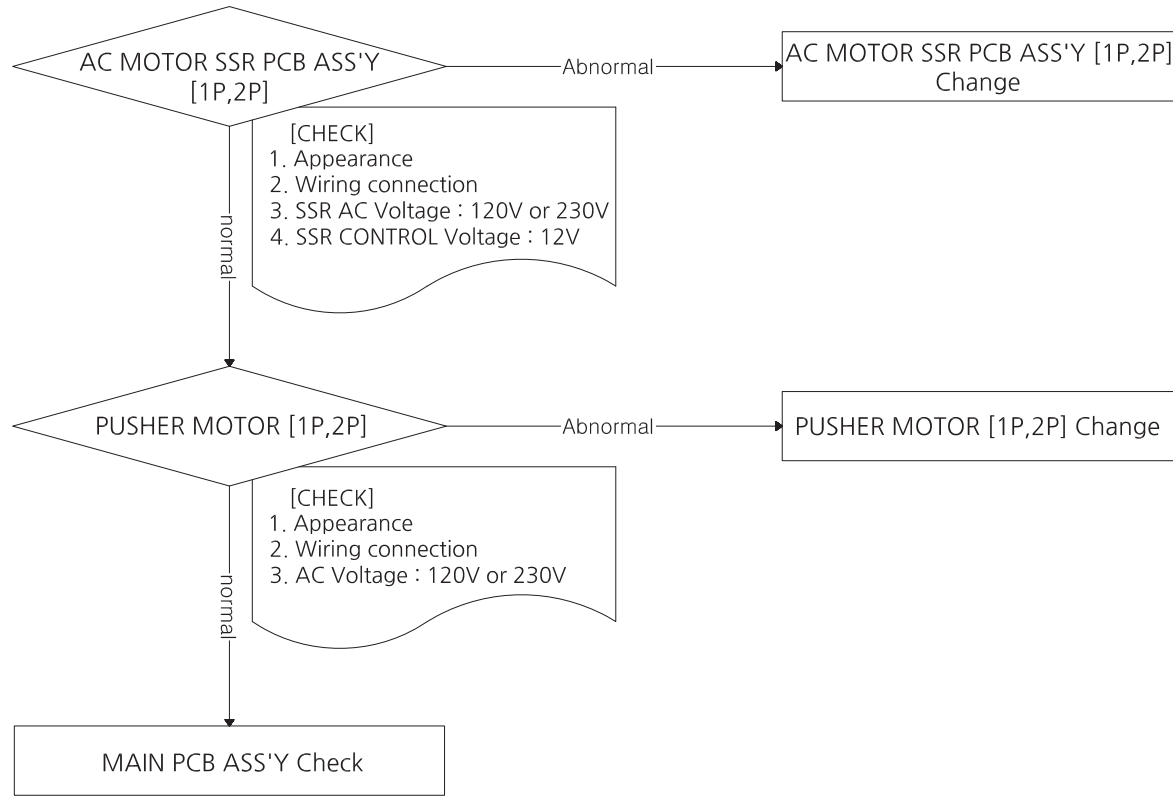
## - IN CASE OF MALFUNCTION OF TARGET BONUS WHEEL

\*Common: Check the input voltage, check wiring



# - IN CASE OF MALFUNCTION OF PUSHER MOTOR

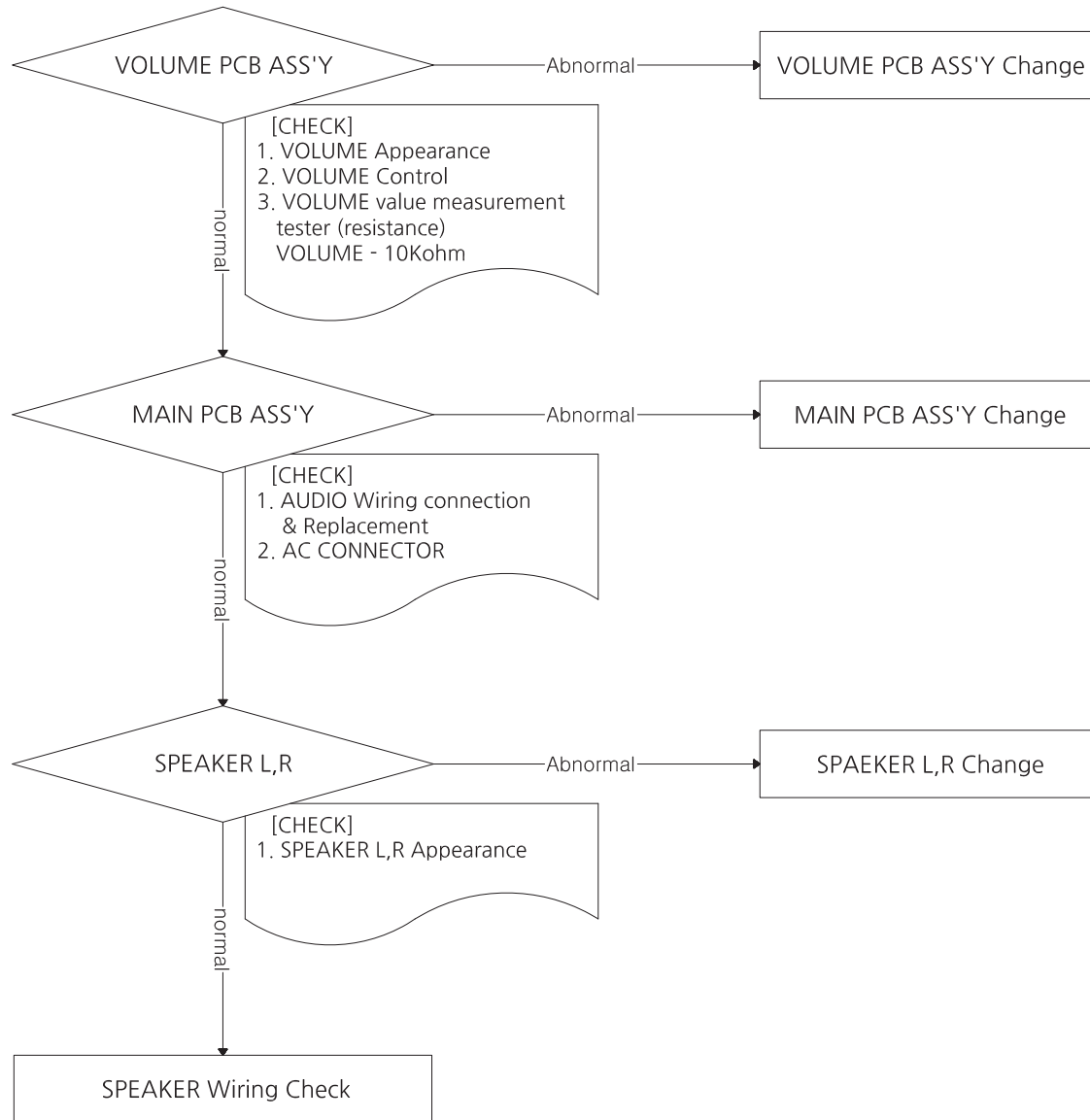
\*Common: Check the input voltage, check wiring





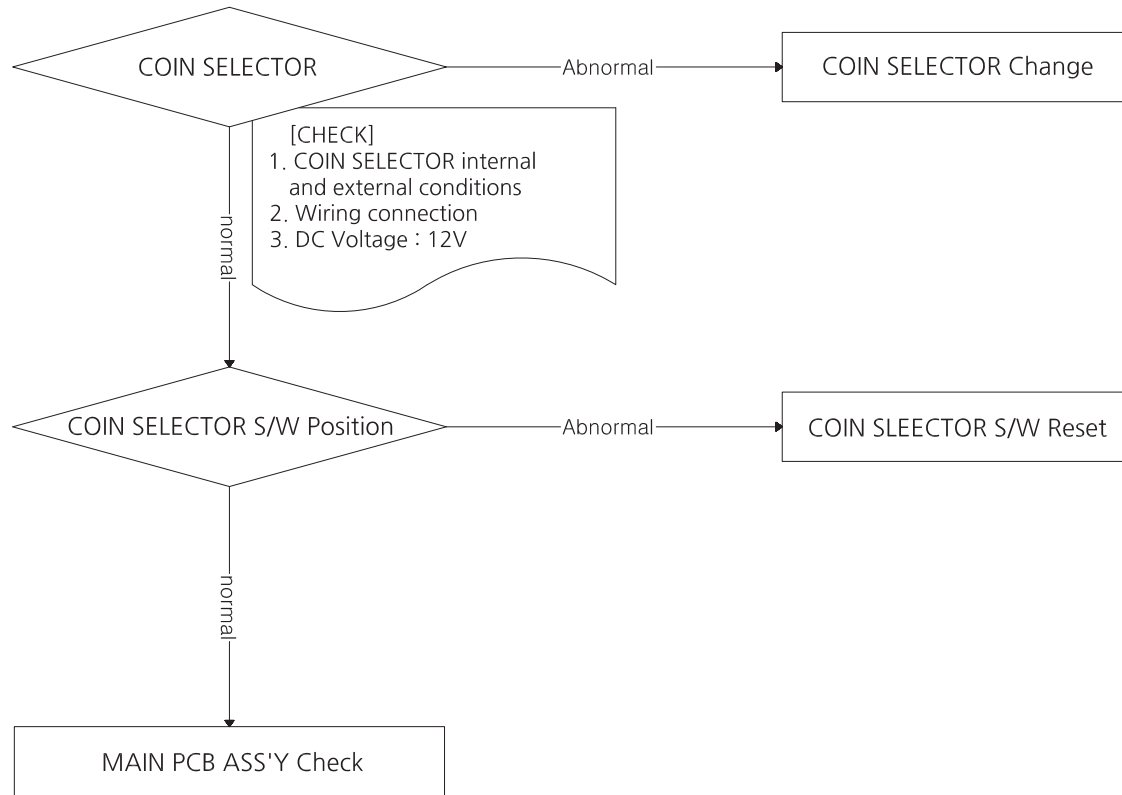
# - SOUND ERROR

\*Common: Check the input voltage, check wiring



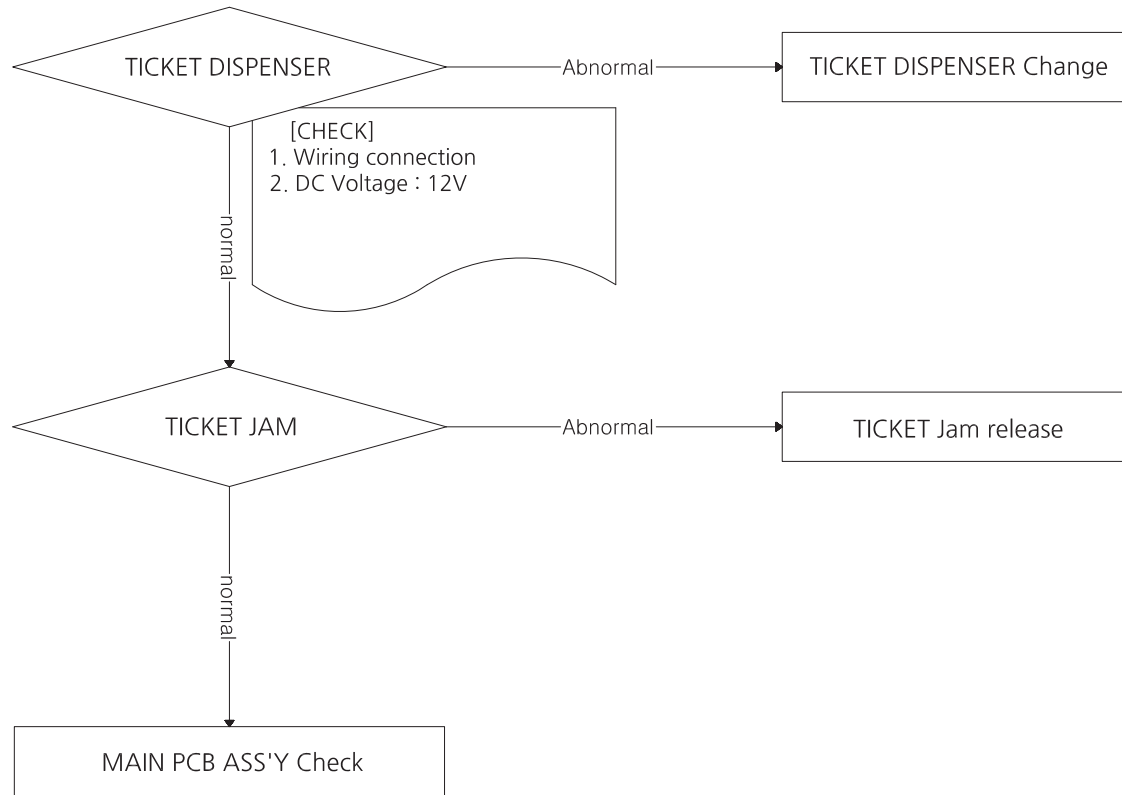
# - COIN SELECTOR [1P,2P] ERROR

\*Common: Check the input voltage, check wiring



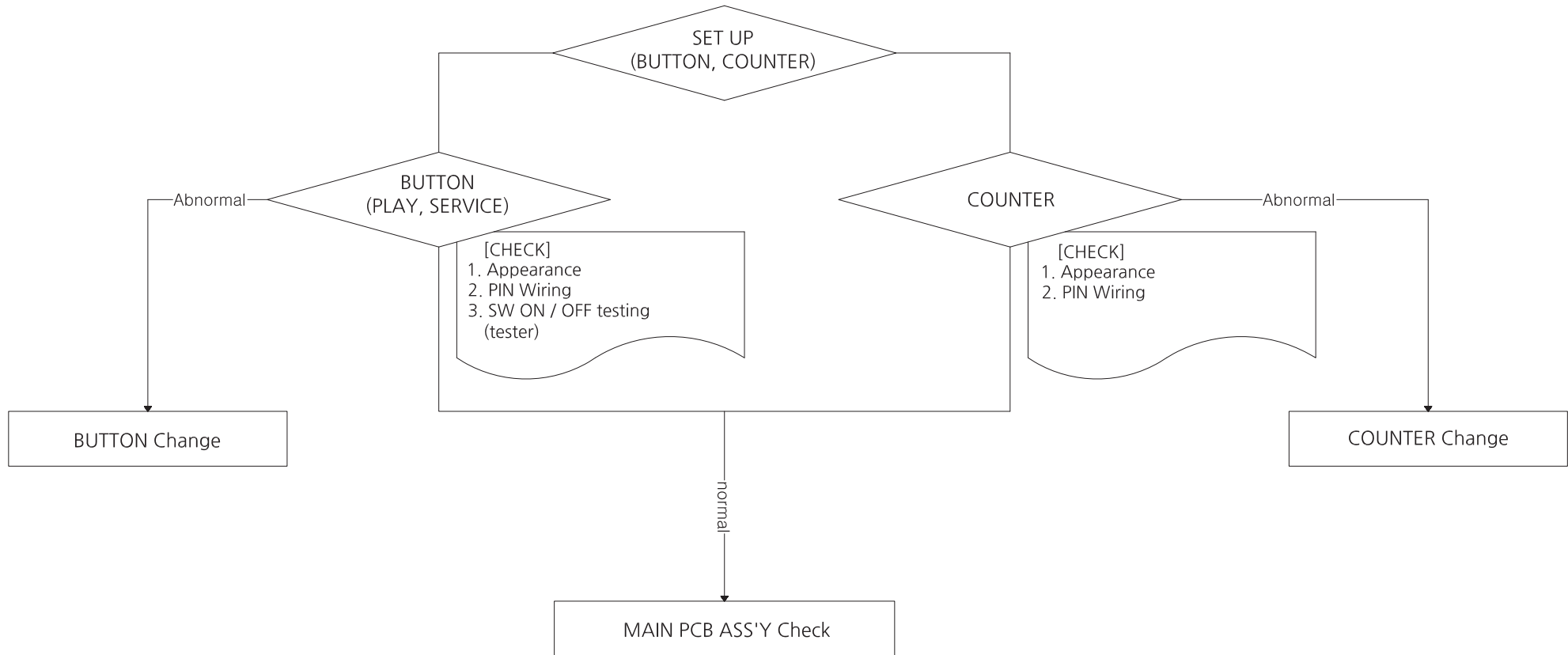
# - TICKET DISPENSER [1P,2P] ERROR

\*Common: Check the input voltage, check wiring



# - BUTTON & COUNTER ERROR

\*Common: Check the input voltage, check wiring



# MEMO

# MEMO